



MAV 0921-5
RE 10
031018

RE 10

- SE** MONTERINGSANVISNING RUMSENHET RE 10
- GB** INSTALLATION INSTRUCTIONS ROOM UNIT RE 10
- DE** MONTAGEANWEISUNG RAUMEINHEIT RE 10



RE 10

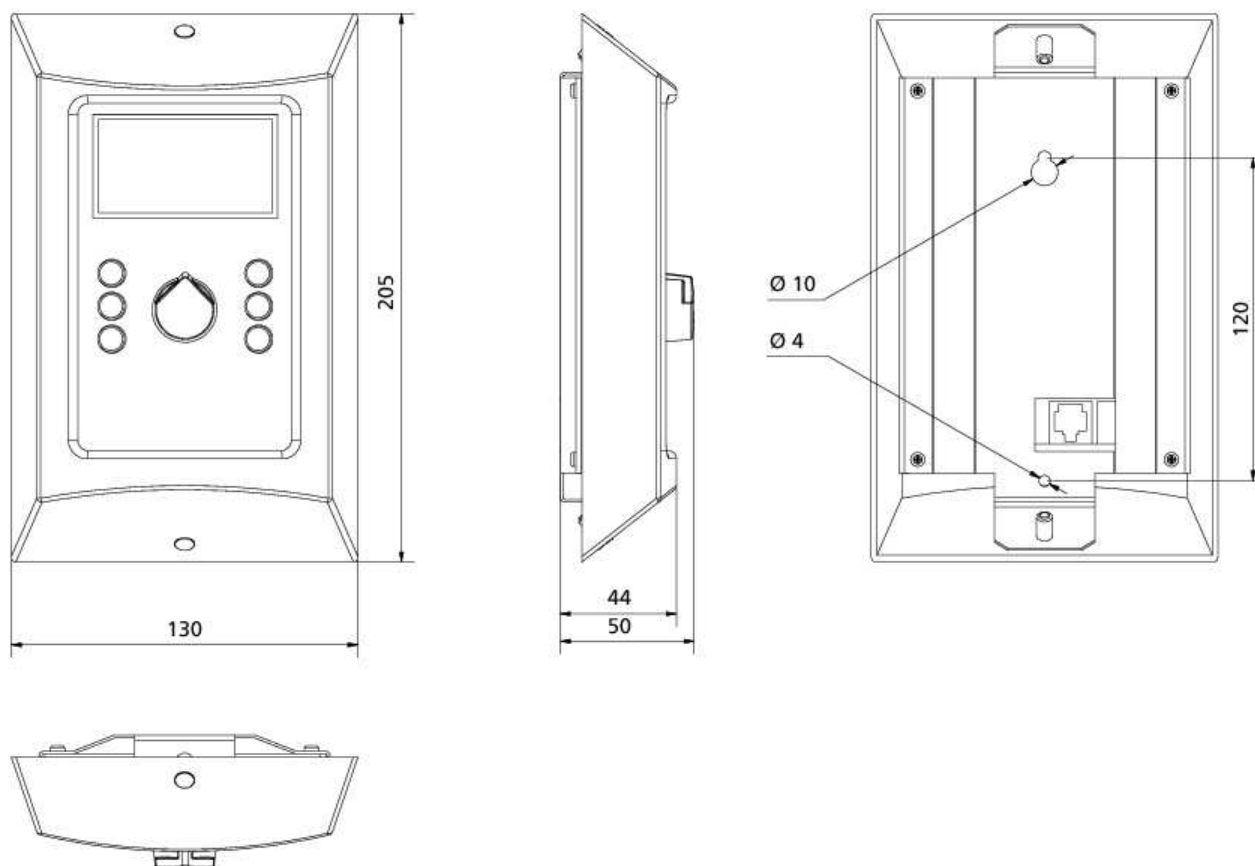
General

Room unit RE 10 functions as an external display with integrated room sensor for F360P / F1140 / F1150 / F1240 / F1250 / ACVM 270 / VVM300 / SMO 10. The RE 10 can be used to read and modify menus and values which are accessible in the heat pump/electric boiler/control module. With the integrated room sensor the calculated flow line is corrected from the heat pump/electric boiler in a way that means that the room temperature can be held at a constant level in the room.

Contents

- 1 x Display unit
- 1 x T-extension connector RJ 45, modular
- 1 x 3 m Modular cable
- 1 x 15 m Modular cable
- 1 x Battery eliminator for installation indoors
(230V AC/12V DC 6 W)
- 1 x Temperature sensor (pre-installed on the display card)

Dimensions



Connection

RE 10 is installed according to the outline diagram at the bottom of the page:

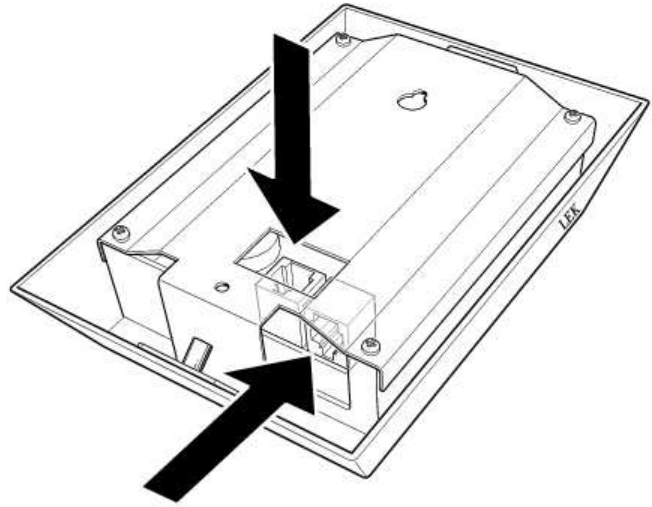
Note!

Check that the heat pump/electric boiler/ control module is unpowered before work is carried out behind covers secured by screws.

The modular cables supplied are not dependent on a special modular connection but can be moved to the desired location of the T-connector.

1. Open the plastic cover and connect the modular cable between X1 on the T-connection and the free modular connection in F360P / F1140 / F1240 / F1250 / ACVM 270 / VVM 300 / SMO 10 (shown in the image on the next page).
2. Connect the next modular cable between X2 on the T-connector and any of the modular connectors on RE 10 (see image to right). The modular cable can be connected either from underneath or straight behind.
To simplify the connection, the cover of the display unit can be unscrewed according to "Alternative sensor positioning" in the next entry.
3. Connect the battery eliminator to X3 on the T-connection and close the plastic cover.
4. Connect the battery eliminator to the power socket.

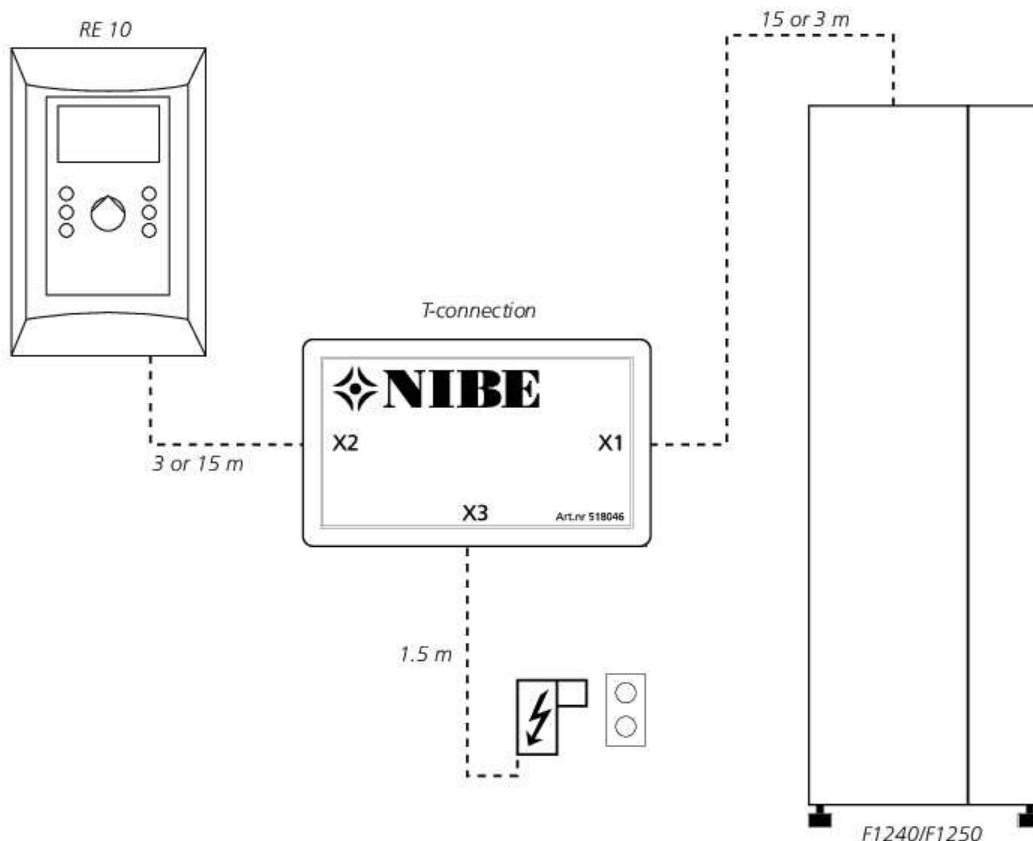
RE 10 (rear side)



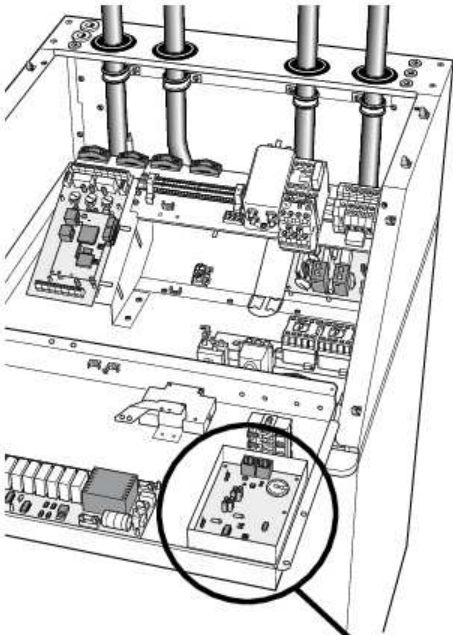
Note!

All electrical connections behind covers secured by screws must be carried out by an authorised electrician. Electrical installation and wiring must be carried out in accordance with the stipulations in force.

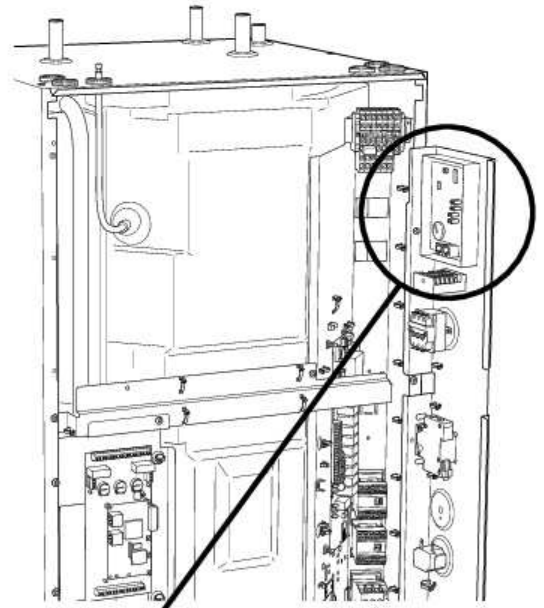
Outline Diagram



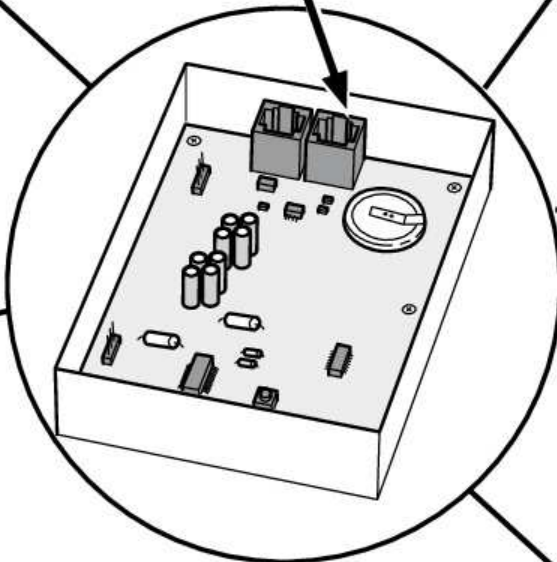
F1140/F1150



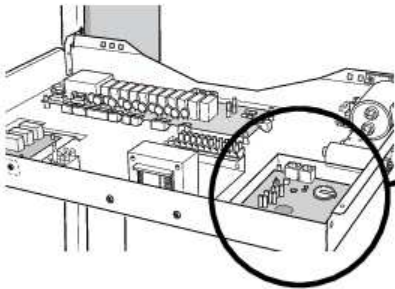
F1240/F1250



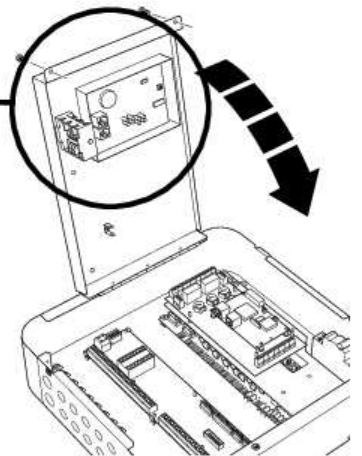
Modular switches



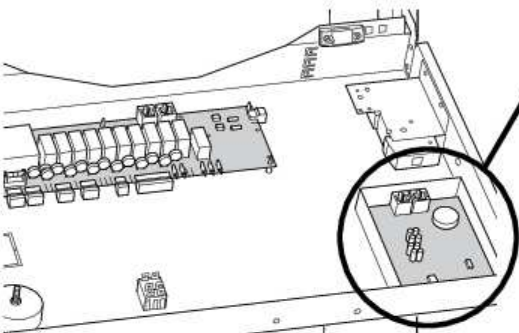
F360P



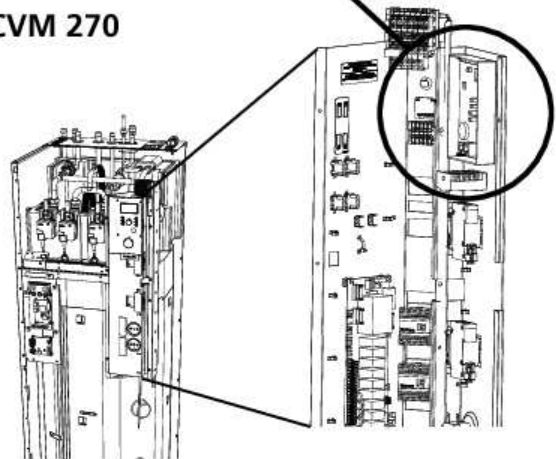
SMO 10



VVM 300



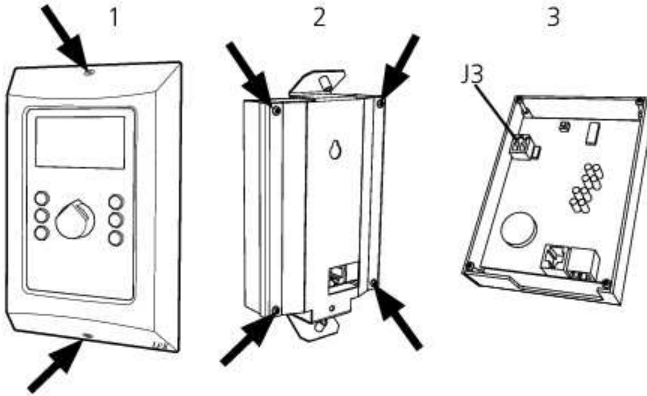
ACVM 270



Alternative sensor positioning

RE 10 has an integrated room temperature sensor. This can be spliced and extended if one wishes to measure the room temperature in a more representative location in the house.

1. Slacken off the two screws holding the plastic cover.
2. Unscrew the four screws on the rear side of the room unit.
3. Remove the installed sensor on spring terminal J3 and connect the new spliced cable.



Note!

Electrical installation and wiring must be carried out in accordance with the stipulations in force.

Settings

- Select "Service" in menu 8.1.1 to gain access to menus 9.0 and the sub-menus.

About F360P

- Select "Room unit" in menu 9.1.4 and menu 6.0 becomes available. Settings for desired room temperature etc can be selected in the sub-menus to 6.0. (see MOS for 360P for more information).

About F1140/F1150/F1240/F1250

- Select "On" in menu 9.2.6, "Room unit" in menu 9.2.18 and menu 6.0 becomes available. Settings for desired room temperature etc can be selected in the sub-menus to 6.0. (see MOS for 1140/1150/1240/1250 for more information).

About ACVM 270

- Select "On" in menu 9.3.5 to activate RE10.
- Select "RE10" in menu 9.3.6 and menu 6.0 becomes available. Settings for desired room temperature etc can be selected in the sub-menus to 6.0. (see MOS for ACVM 270 for more information).

About SMO 10/VVM 300

- Select "On" in menu 9.3.4 and menu 6.0 becomes available. Settings for desired room temperature etc can be selected in the sub-menus to 6.0. (see MOS for SMO 10 / VVM300 for more information).

(AT) **KNV Energietechnik GmbH**, Gahberggasse 11, 4861 Schörfling
Tel: +43 (0)7662 8963-0 Fax: +43 (0)7662 8963-44 E-mail: mail@knv.at www.knv.at

(CH) **NIBE Wärmetechnik AG**, Winterthurerstrasse 710, CH-8247 Flurlingen
Tel: (52) 647 00 30 Fax: (52) 647 00 31 E-mail: info@nibe.ch www.nibe.ch

(CZ) **Druzstevni zavody Drazice s.r.o.**, Drazice 69, CZ - 294 71 Benatky nad Jizerou
Tel: +420 326 373 801 Fax: +420 326 373 803 E-mail: nibe@nibe.cz www.nibe.cz

(DE) **NIBE Systemtechnik GmbH**, Am Reiherpfahl 3, 29223 Celle
Tel: 05141/7546-0 Fax: 05141/7546-99 E-mail: info@nibe.de www.nibe.de

(DK) **Vølund Varmeteknik**, Filial af NIBE AB, Brogårdsvej 7, 6920 Videbæk
Tel: 97 17 20 33 Fax: 97 17 29 33 E-mail: info@volundvt.dk www.volundvt.dk

(FI) **NIBE – Haato OY**, Valimotie 27, 01510 Vantaa
Puh: 09-274 697 0 Fax: 09-274 697 40 E-mail: info@haato.com www.haato.fi

(GB) **NIBE Energy Systems Ltd**, 3C Broom Business Park, Bridge Way, Chesterfield S41 9QG
Tel: 0845 095 1200 Fax: 0845 095 1201 E-mail: info@nibe.co.uk www.nibe.co.uk

(NL) **NIBE Energietechniek B.V.**, Postbus 2, NL-4797 ZG WILLEMSTAD (NB)
Tel: 0168 477722 Fax: 0168 476998 E-mail: info@nibenl.nl www.nibenl.nl

(NO) **NIBE AB**, Fekjan 15F, 1394 Nesbru
Tel: 22 90 66 00 Fax: 22 90 66 09 E-mail: info@nibe.se www.nibe-villavarme.no

(PL) **NIBE-BIAWAR Sp. z o. o.** Aleja Jana Pawła II 57, 15-703 BIAŁYSTOK
Tel: 085 662 84 90 Fax: 085 662 84 14 E-mail: sekretariat@biawar.com.pl www.biawar.com.pl

NIBE AB Sweden, Box 14, Järnvägsgatan 40, SE-285 21 Markaryd
Tel: +46-(0)433-73 000 Fax: +46-(0)433-73 190 E-mail: info@nibe.se www.nibe.eu

