

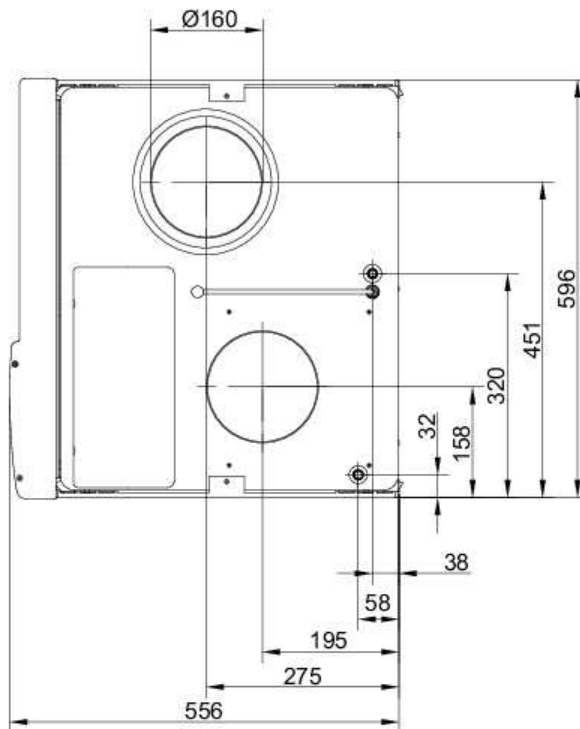
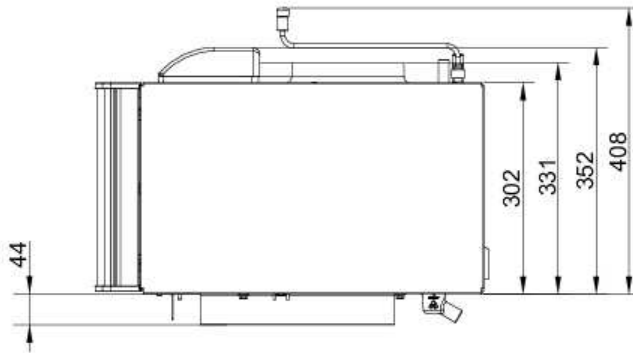
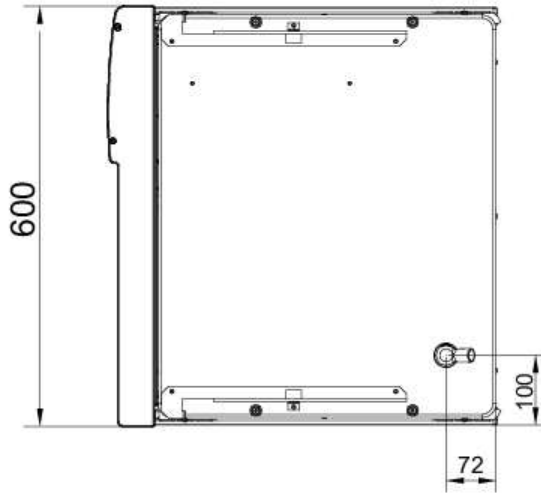
Installer manual

NIBE FLM

Exhaust air module

10 Technical data

Dimensions and setting-out coordinates



Technical specifications

Electrical data		
Supply voltage	V	230 V NAC 50 Hz
Max driving power circulation pump	W	75
Driving power fan	W	175
Enclosure class		IP 21
Ventilation		
Max airflow	m ³ /h	350
Brine circuit		
Minimum incoming brine temperature	°C	-8
Maximum recommended incoming brine temperature	°C	15
Maximum outgoing brine temperature	°C	30
Min pressure brine	MPa/bar	0.02/0.2
Maximum pressure brine	MPa/bar	0.3/3
Sound power level according to EN 12,102		
Sound power level (L _{W(A)}) ¹	dB(A)	36-46
Dimensions and weight		
Width	mm	600
Depth	mm	556
Height	mm	396
Weight	kg	35
Part No.		067 011

¹ The value varies with the selected fan curve.